

**PRINCIPAL DIMENSIONS**

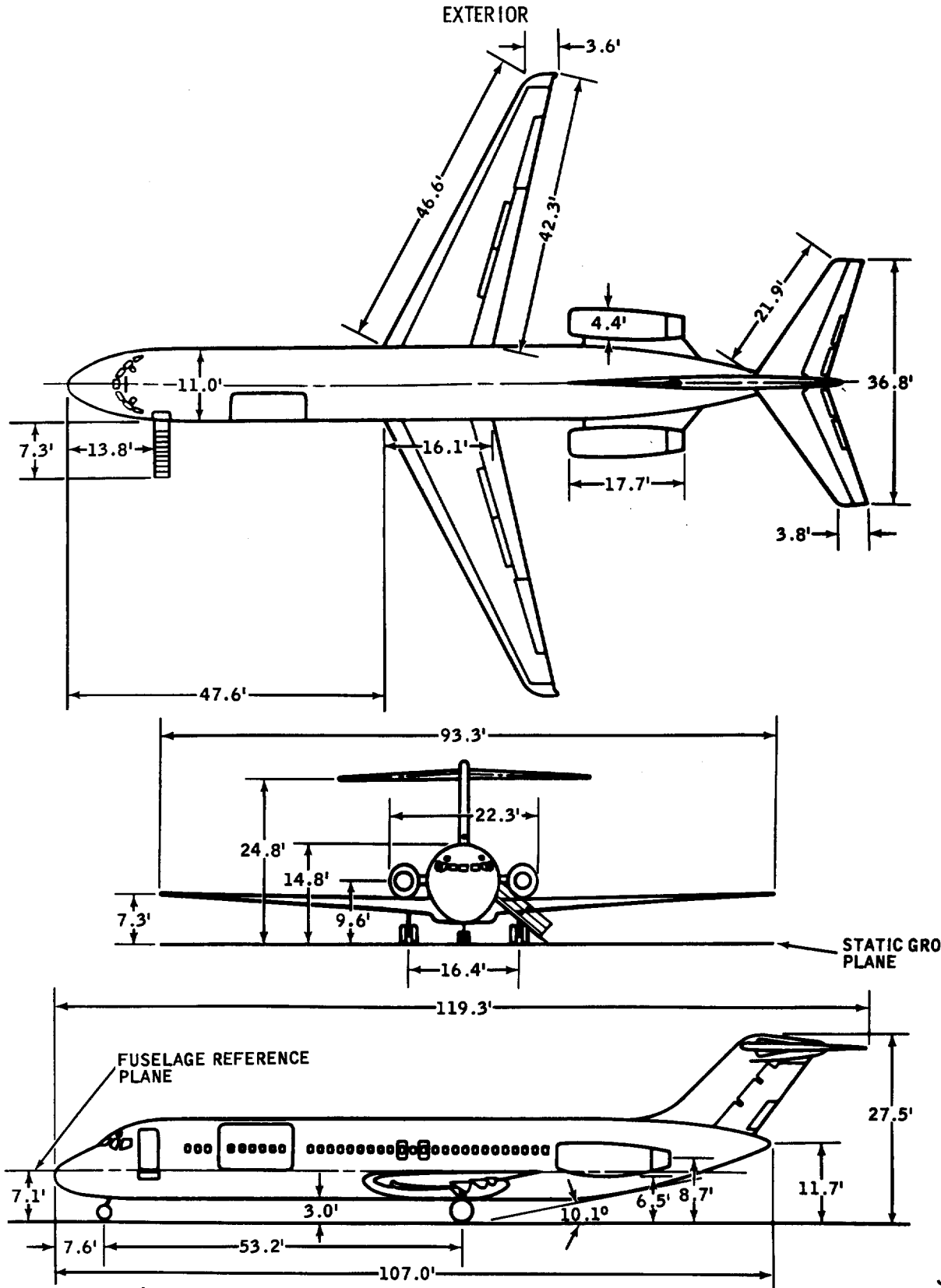


Figure 1-1. Principal Dimensions (Sheet 1)