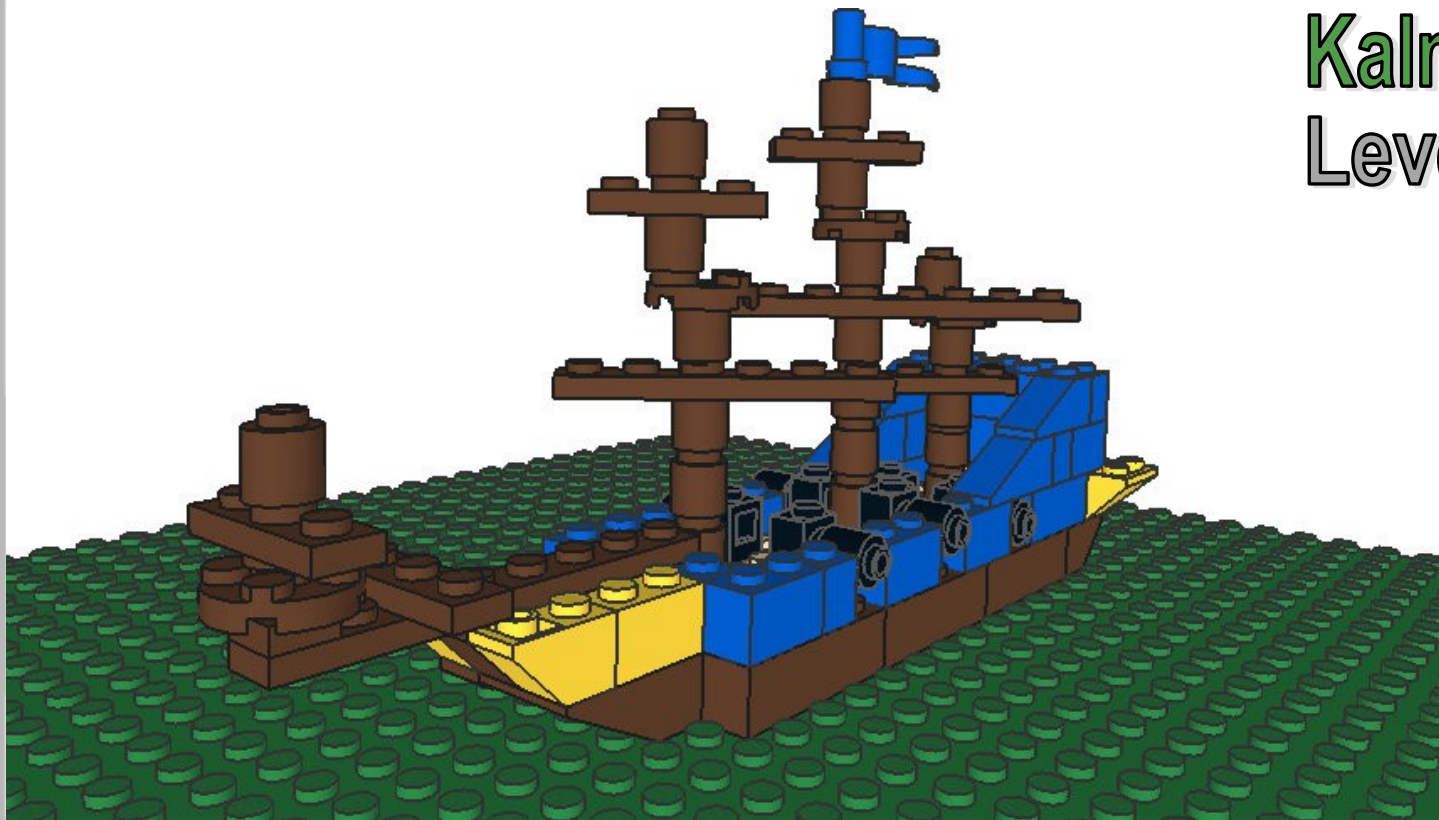


BRICK BY BRICK: LEGO SHIPBUILDING



Kalmar Nyckel
Level: Easy

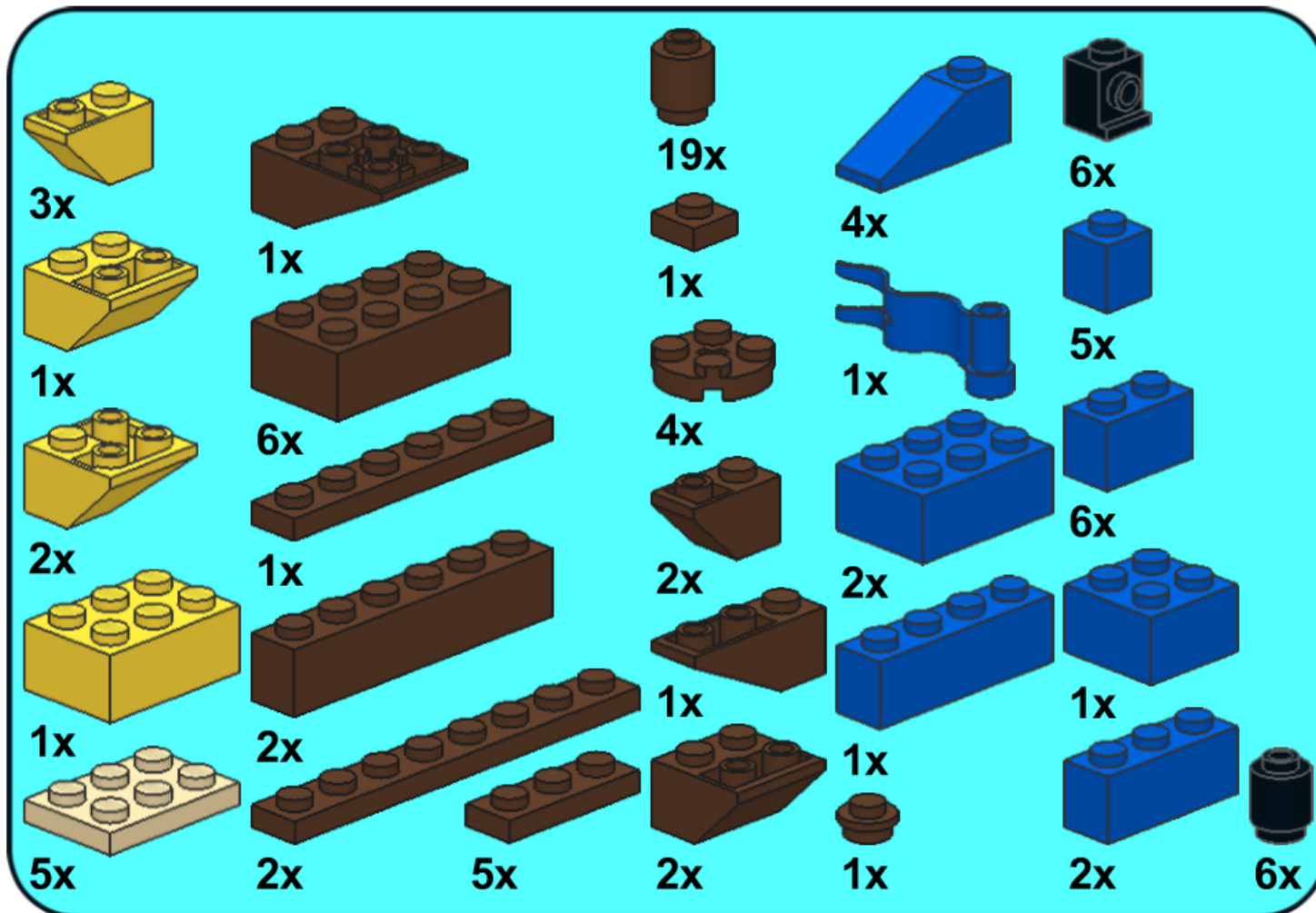
Ship models included in this program are built with LEGO® bricks. LEGO® is a trademark of the LEGO® group of companies which does not sponsor, authorize, or endorse this program.

www.hrnm.navy.mil



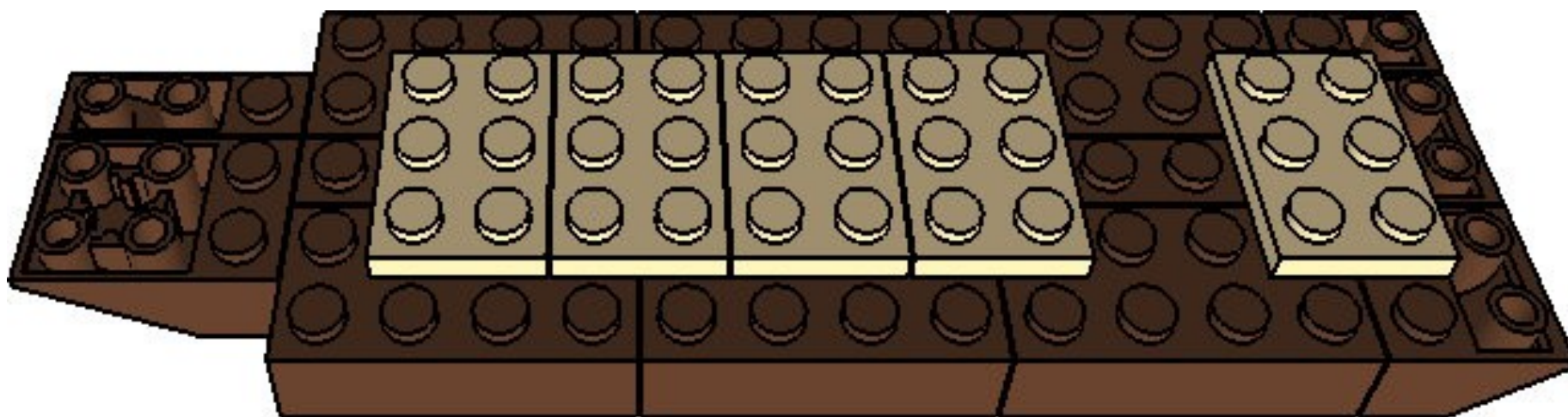
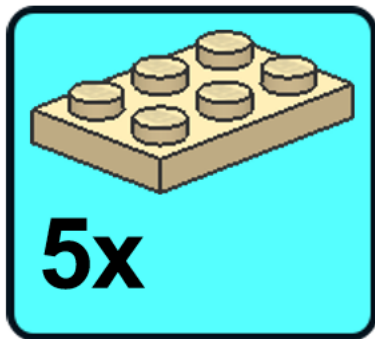
Parts and Pieces

Kalmar Nyckel



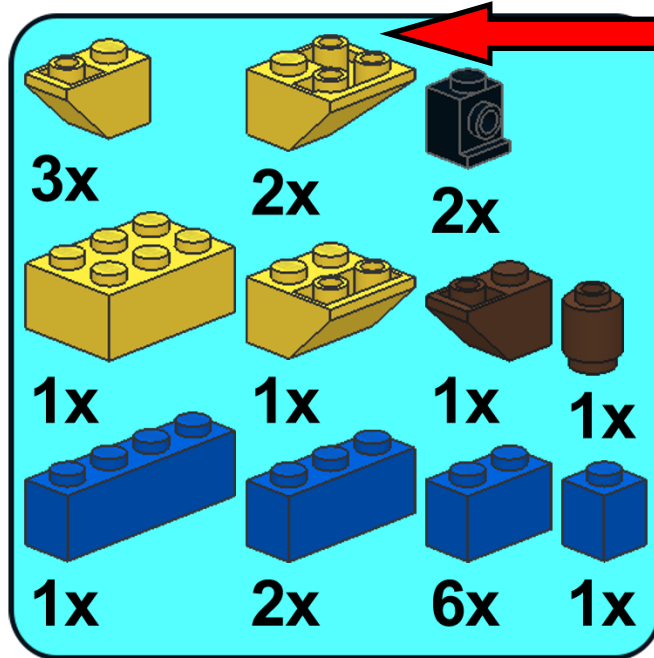
STEP 2

Kalmar Nyckel

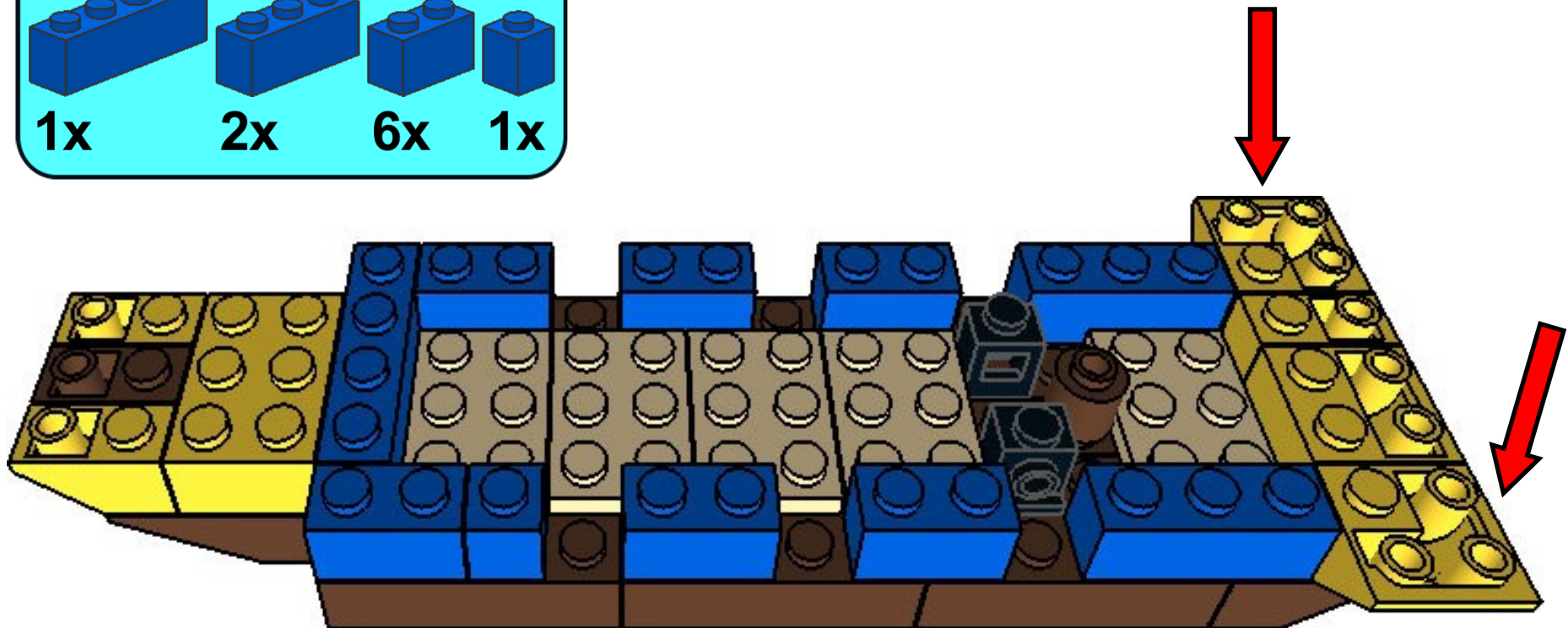


STEP 3

Kalmar Nyckel

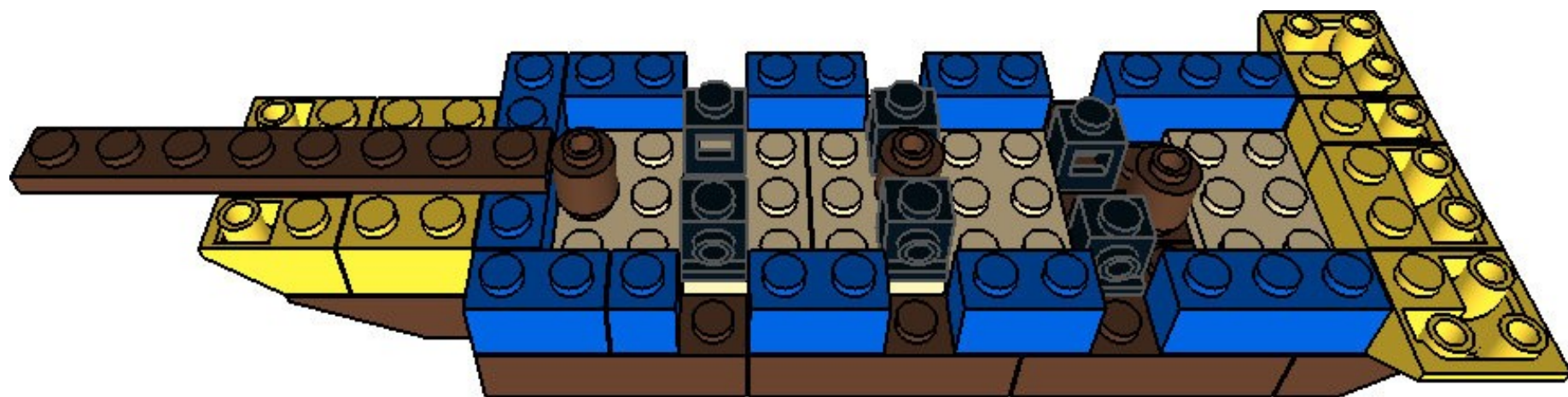
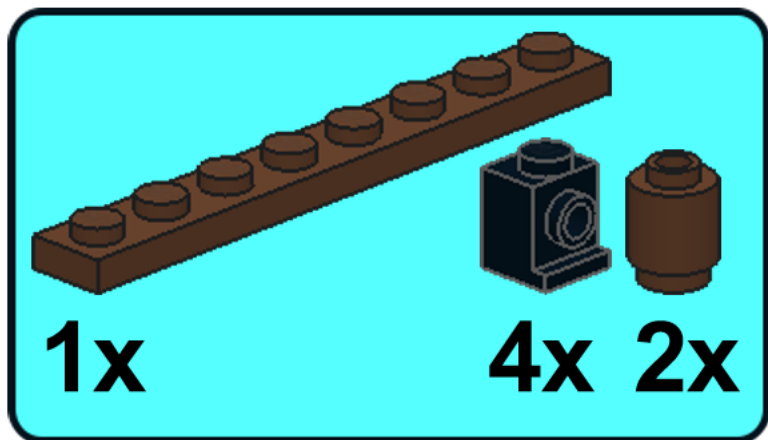


**Inverted double convex slope.
"Corner piece"**



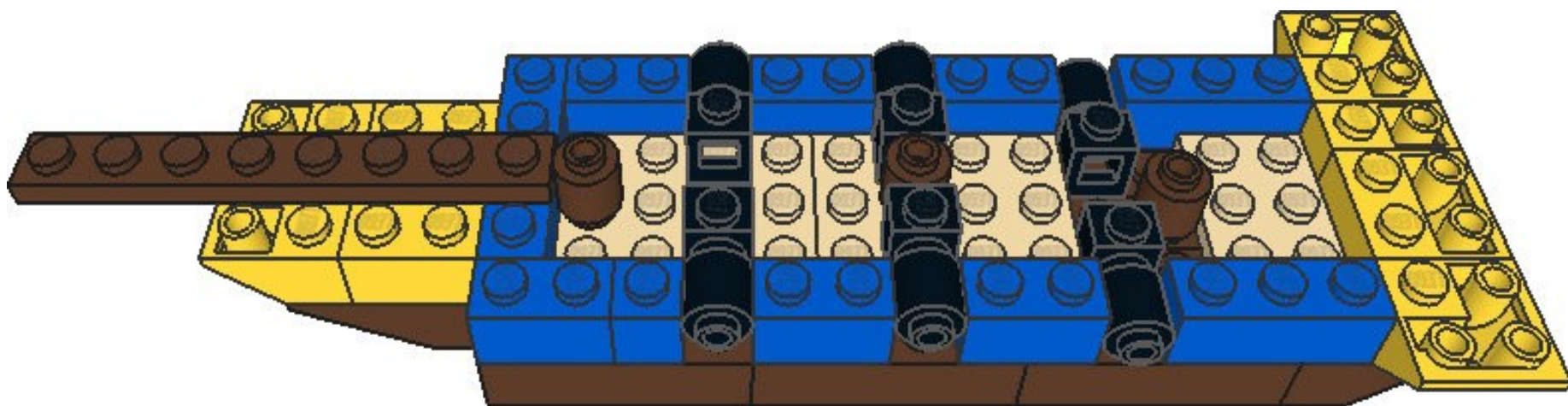
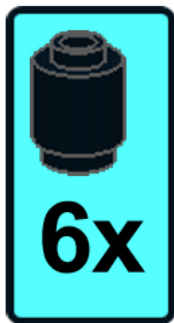
STEP 4

Kalmar Nyckel



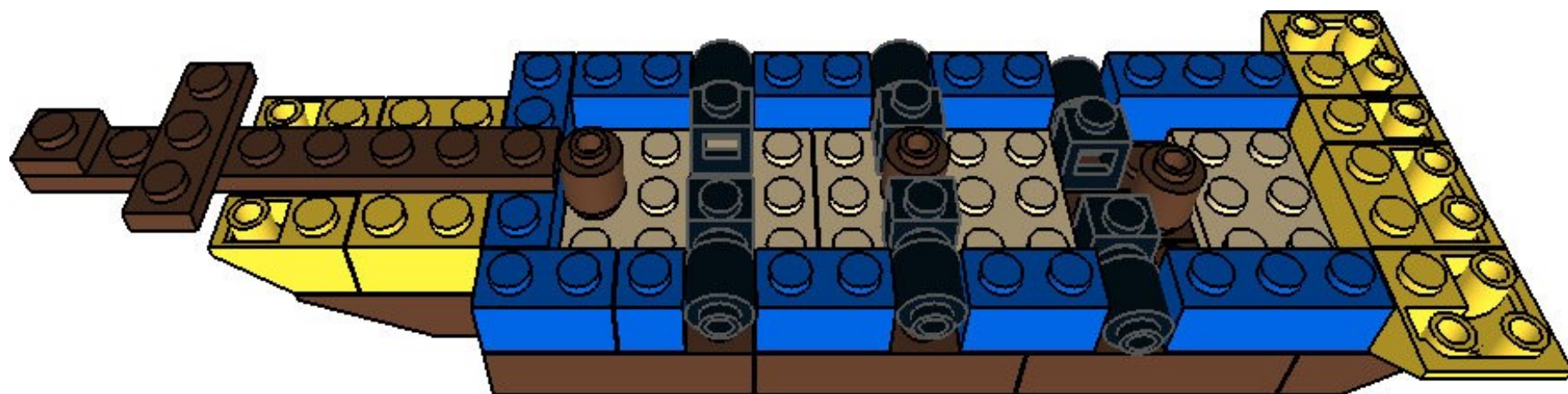
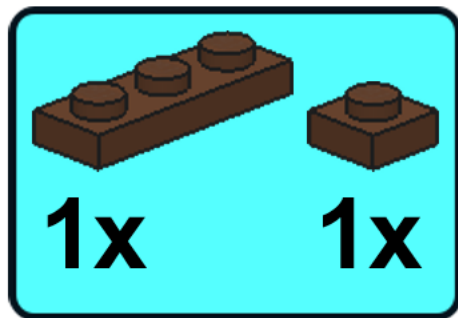
STEP 5

Kalmar Nyckel



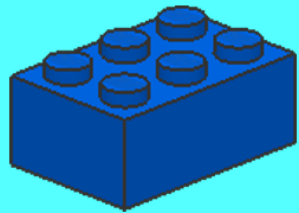
STEP 6

Kalmar Nyckel

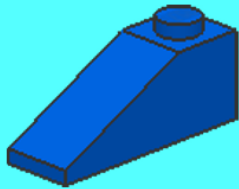


STEP 7

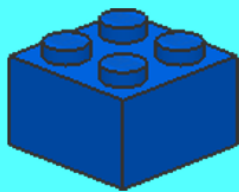
Kalmar Nyckel



1x



2x



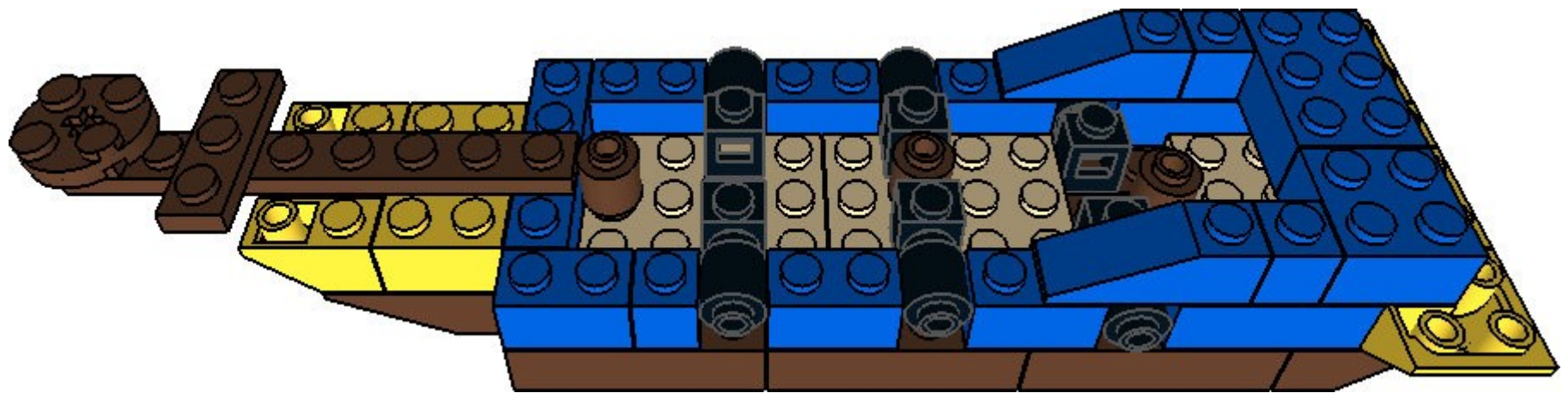
1x



1x

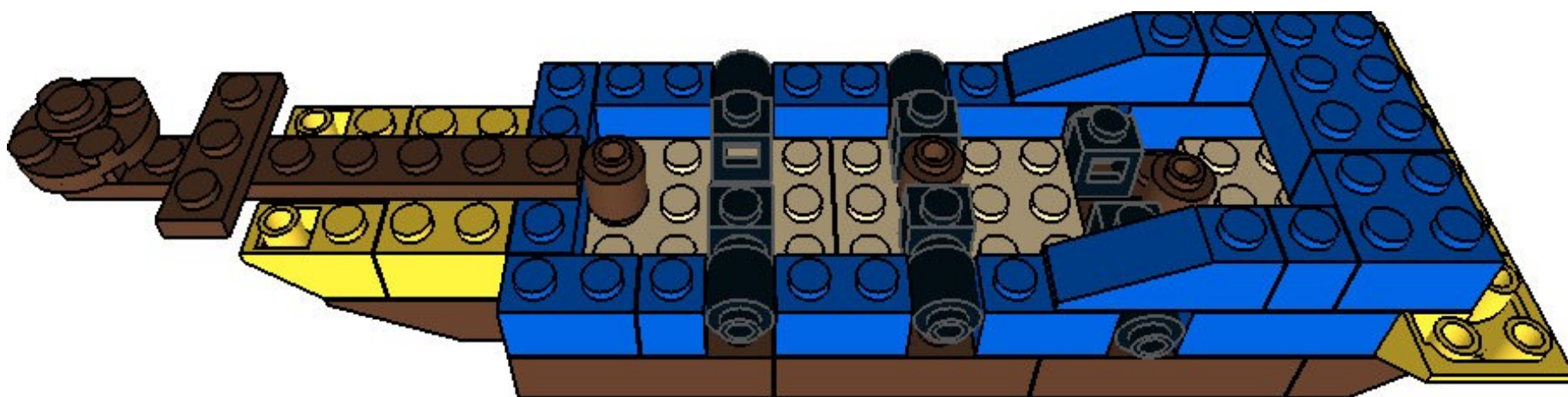


2x



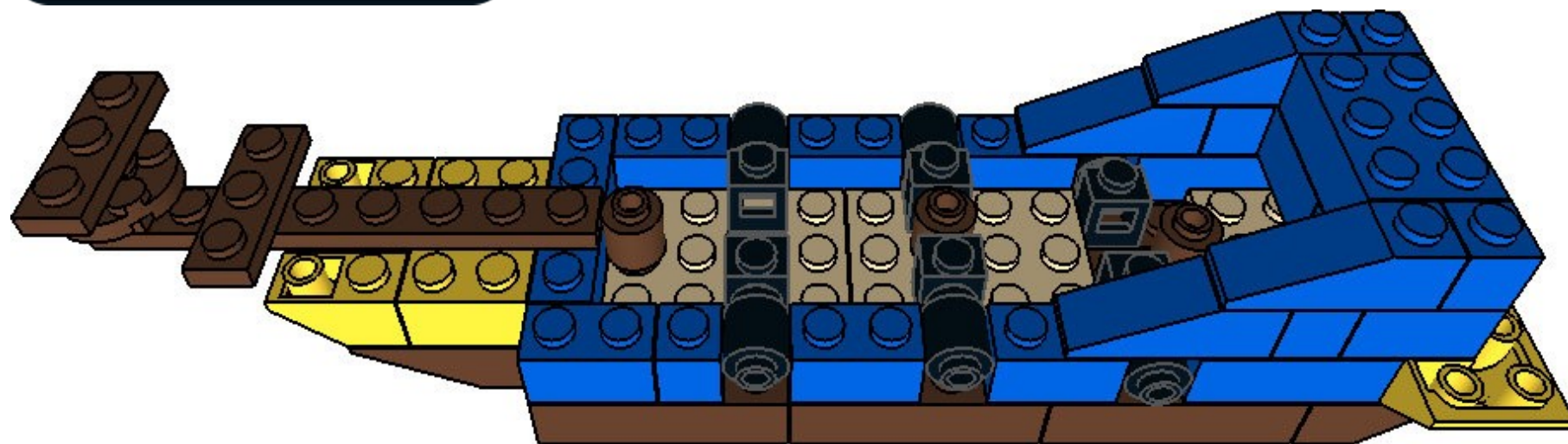
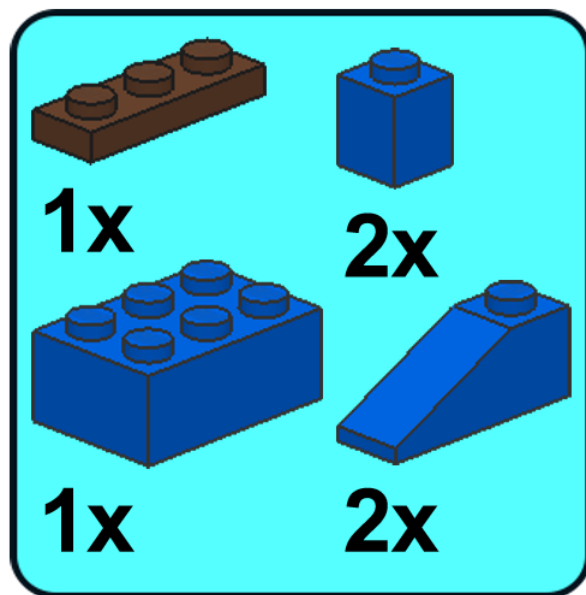
STEP 8

Kalmar Nyckel



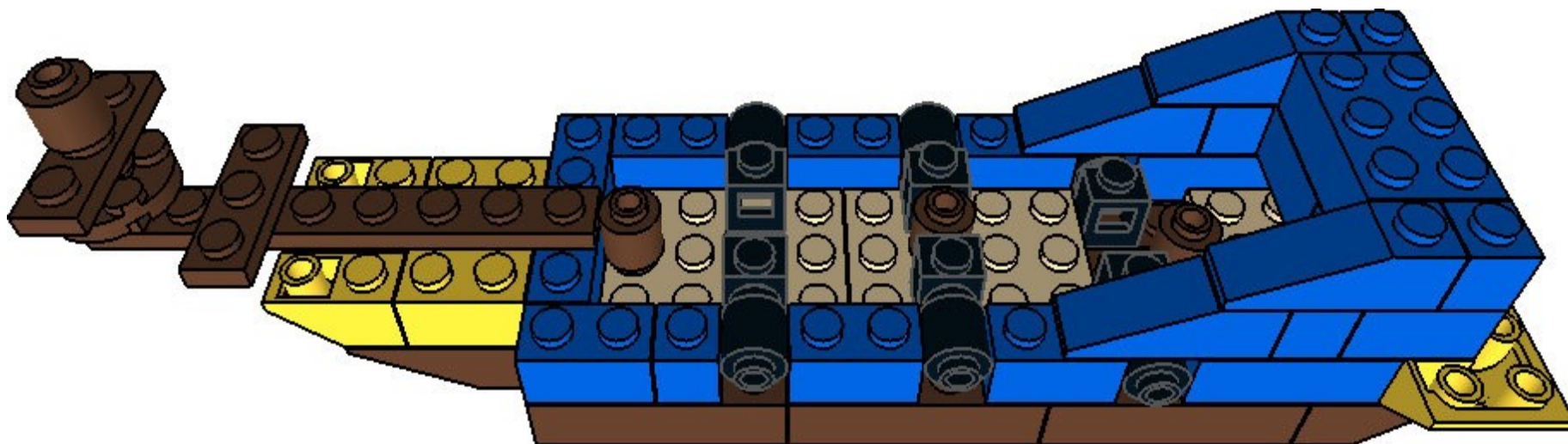
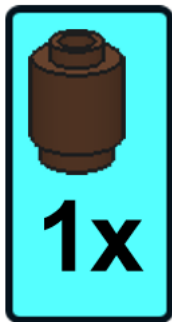
STEP 9

Kalmar Nyckel



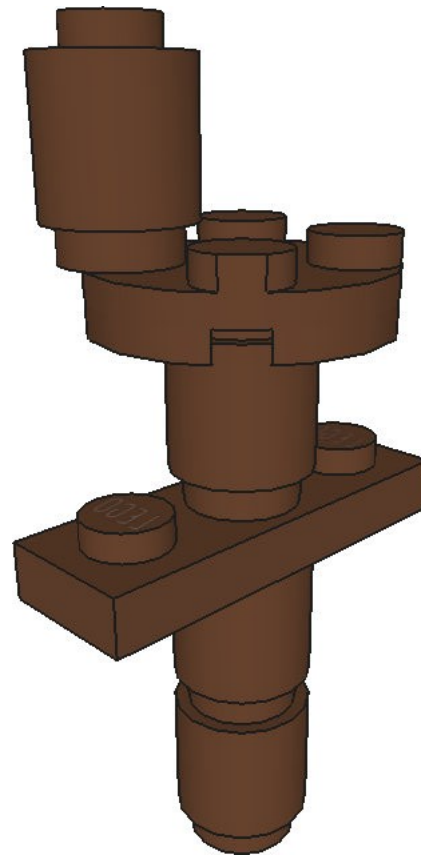
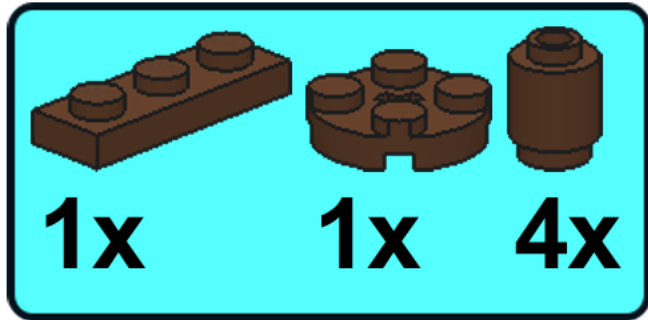
STEP 10

Kalmar Nyckel



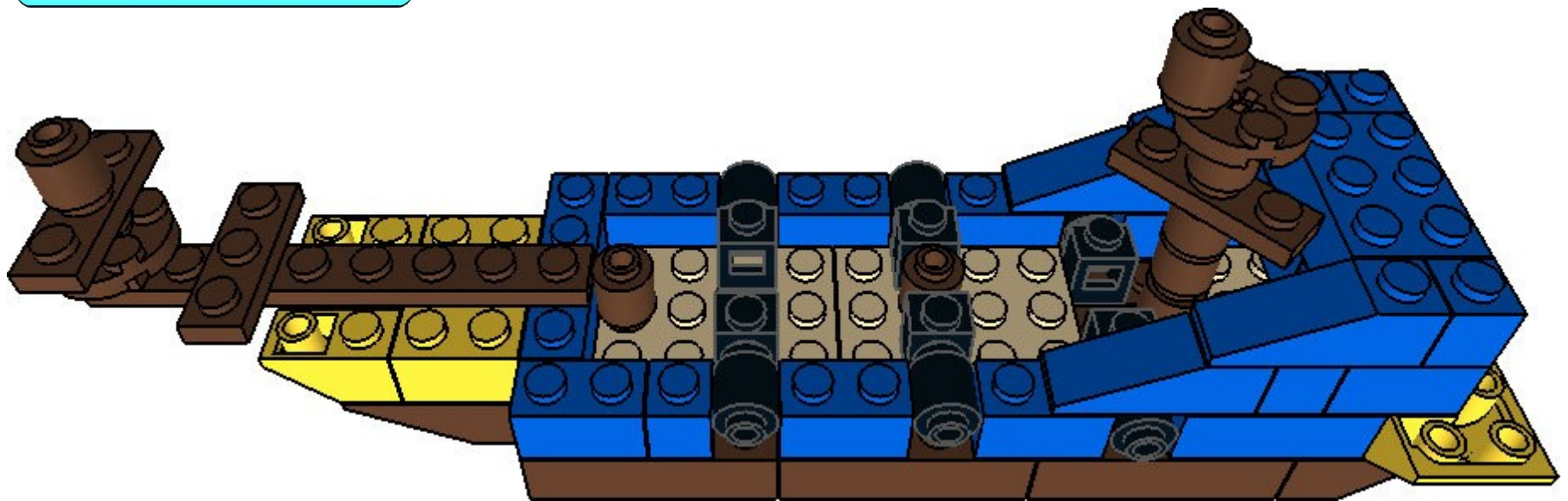
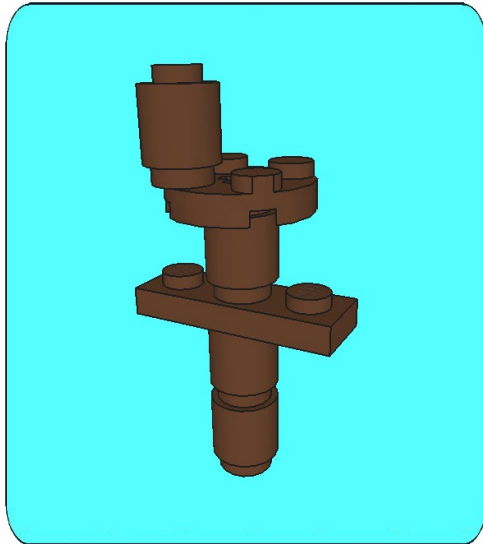
STEP 11

Kalmar Nyckel



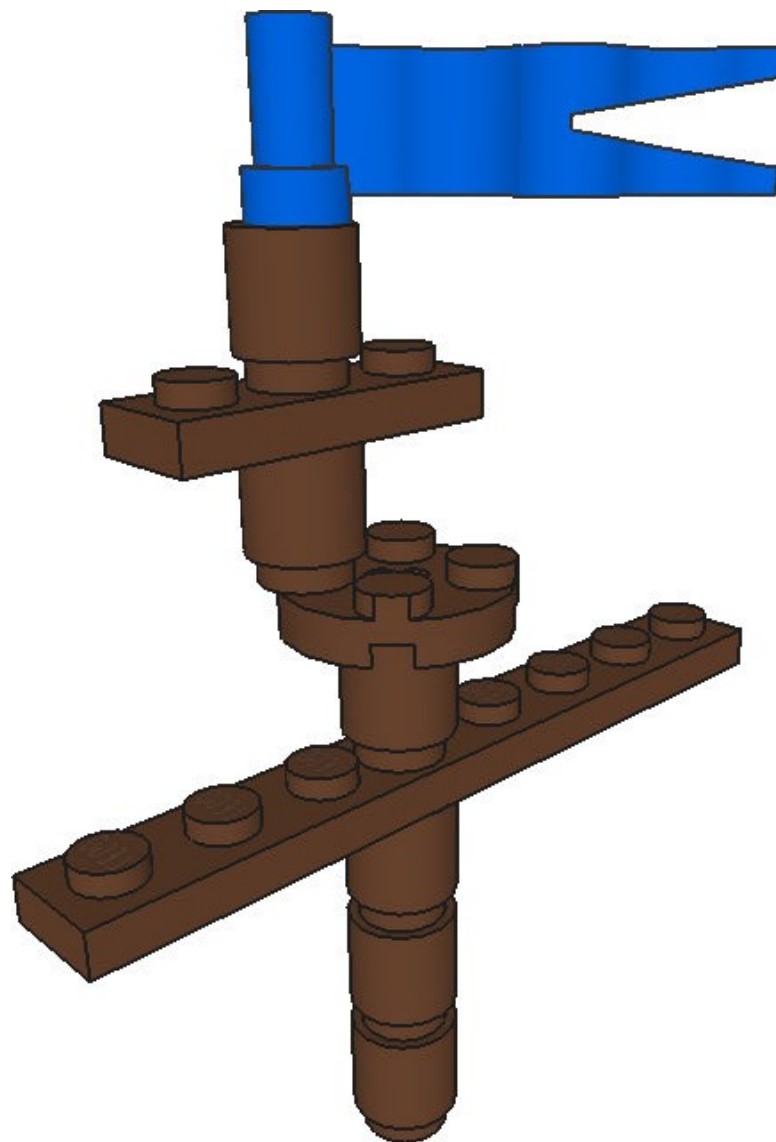
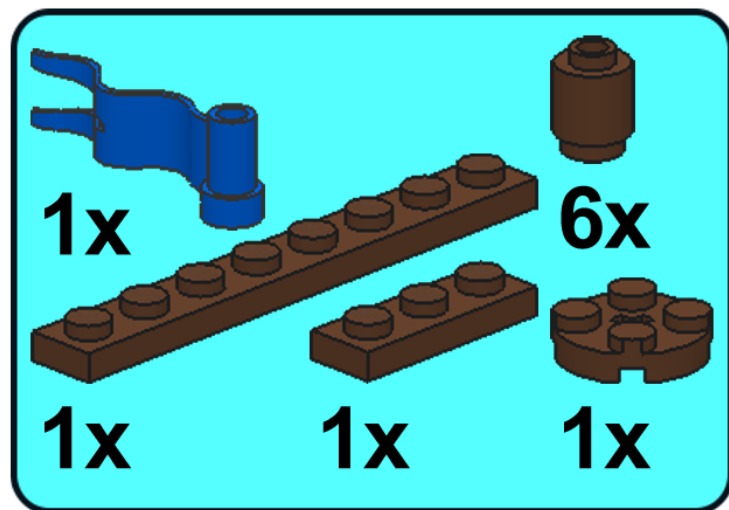
STEP 12

Kalmar Nyckel



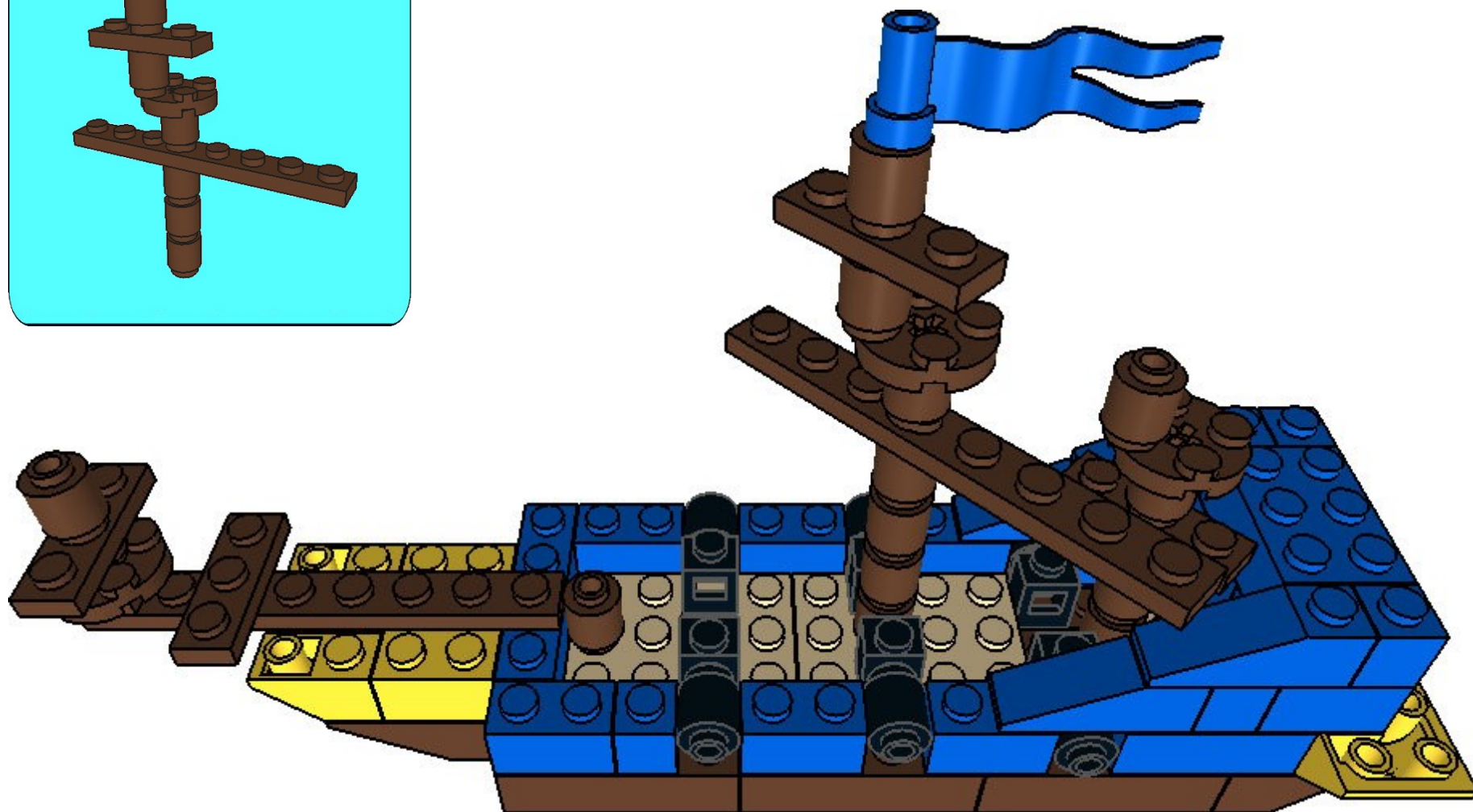
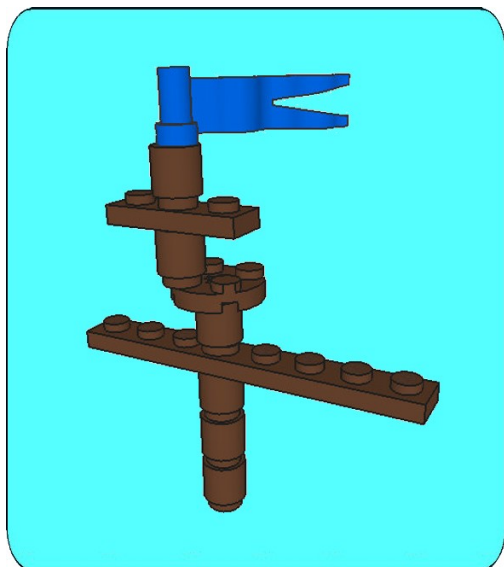
STEP 13

Kalmar Nyckel



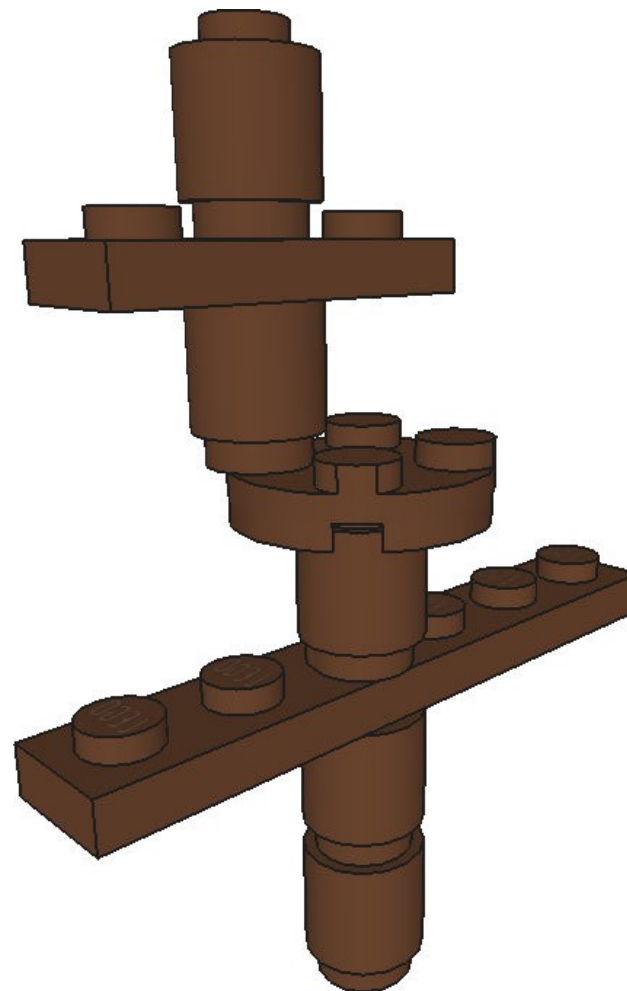
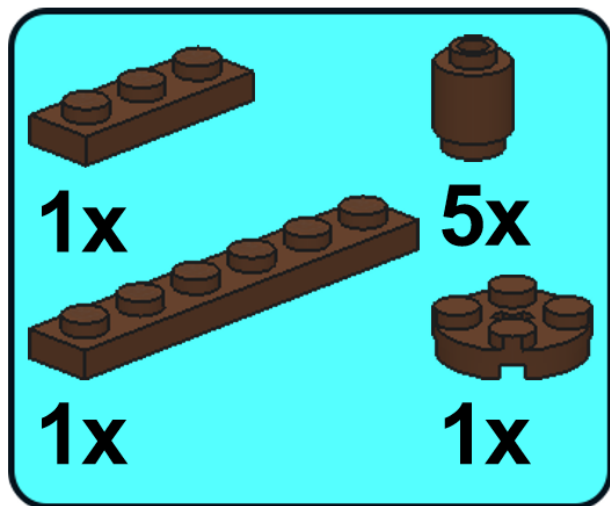
STEP 14

Kalmar Nyckel



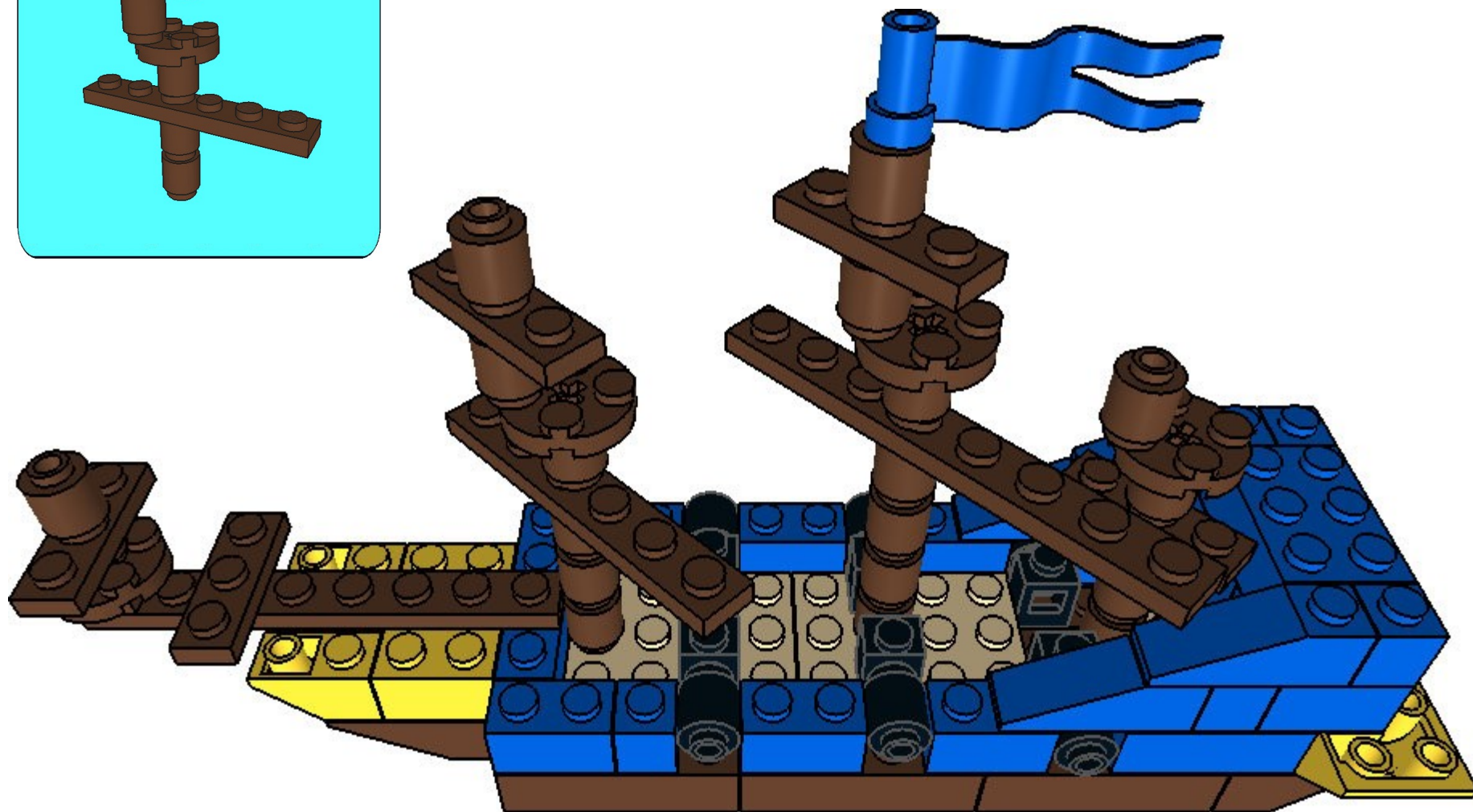
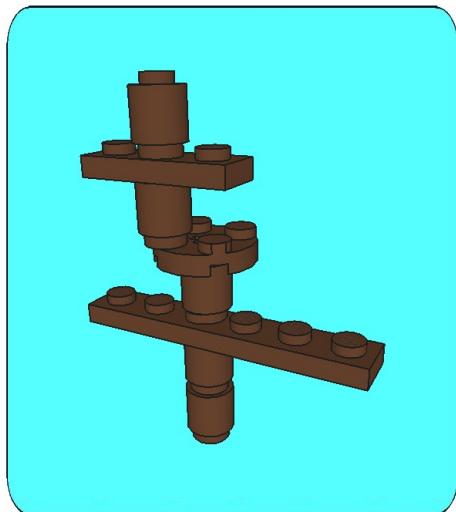
STEP 15

Kalmar Nyckel



STEP 16

Kalmar Nyckel



FINISHED

Kalmar Nyckel

